



Principales

| | |
|---|------------------------------------|
| Gamme de produits | Harmony XVU |
| Type de produit ou de composant | Colonne de signalisation modulaire |
| Type de balise et de colonne de signalisation | Unité de base |
| Diamètre de fixation | 60 mm |
| Nom de composant | XVU |
| Couleur du logement | Noir |

Complémentaires

| | |
|--------------------------------------|--|
| Composition du kit | Unité de base Couvercle |
| Mode de fixation | Directement ou fixation tube |
| Matière | PC (polycarbonate) V-0 ignifuge conforme à UL 94 PBT (polybutylène téréphtalate) V-0 ignifuge conforme à UL 94 ABS (acrylonitrile butadiène styrène) V-0 ignifuge conforme à UL 94 |
| Variante de construction | Montage du client, jusqu'à 5 unités |
| [Us] tension assignée d'alimentation | 24 V c.a./c.c. (tolérance: - 15...10 %) |
| Consommation électrique | <= 400 mA |
| Longueur | 77 mm |
| Poids du produit | 0.11 kg |

Environnement

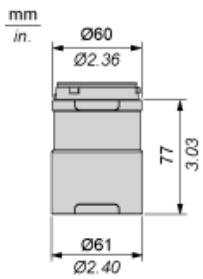
| | |
|---------------------------------------|-------------------------|
| certifications du produit | CE CSA RoHS UL |
| température ambiante pour le stockage | -40...70 °C |
| température de fonctionnement | -25...50 °C |
| tenue aux vibrations | 2 gn |
| degré de protection IP | IP65 |

Caractéristiques environnementales

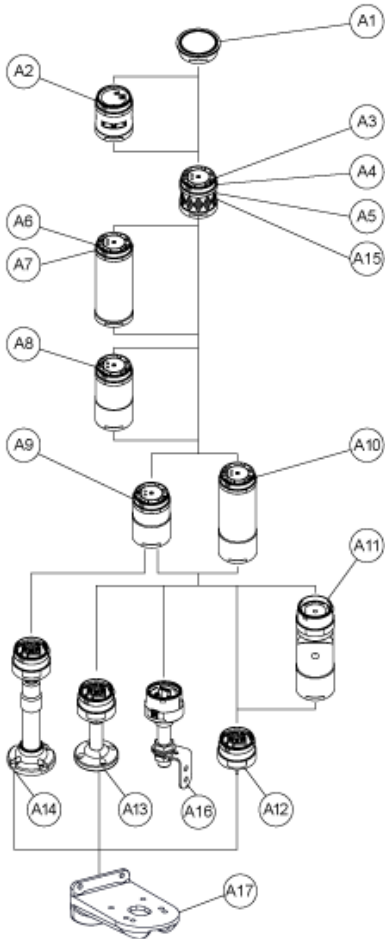
| | |
|---------------------------------------|--|
| Statut environnemental | Produit Green Premium |
| RoHS (code de date: YYWW) | Conforme - depuis 1422 - Déclaration de conformité de Schneider Electric |
| REACH | Prod. en réf. ne contient pas de subst. extrê. préocc. au-delà du seuil aut. |
| Profil environnemental du produit | Disponible |
| Instructions de fin de vie du produit | Disponible |

Base Unit DC

Dimensions



Modular Tower Lights Mounting

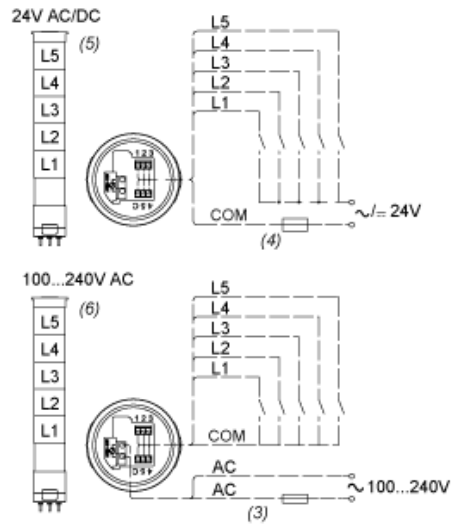
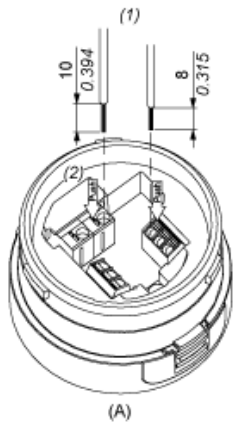


| Drawing | Part number | Part name |
|---------|-------------|------------------------------|
| A1 | - | Top cover |
| | - | Top cover (Silver) |
| A2 | XVUC9S | Buzzer unit |
| | XVUC9SQ | Buzzer unit (Silver) |
| A3 | XVUC23 | Green LED unit |
| | XVUC24 | Red LED unit |
| | XVUC25 | Orange LED unit |
| | XVUC26 | Blue LED unit |
| | XVUC27 | White LED unit |
| | XVUC28 | Yellow LED unit |
| A4 | XVUC29 | Multi-LED unit |
| A5 | XVUC29P | Multi-LED unit, Pulse signal |

| | | |
|------------|-----------|---|
| A6 | XVUC9V | Sound unit |
| A7 | XVUC9VP | Sound unit, Pulse signal |
| A8 | XVUC020 | Extender |
| | XVUC020Q | Extender (Silver) |
| A9 | XVUC21B | DC body |
| | XVUC21BQ | DC body (Silver) |
| A10 | XVUC21M | AC body NPN |
| | XVUC21MP | AC body PNP |
| | XVUC21MQP | AC body PNP (Silver) |
| A11 | XVUZ06 | Flexible option |
| A12 | XVUZ01 | Fixing Unit - Direct mounting (3 pins) |
| | XVUZ01Q | Fixing Unit - Direct mounting (Silver,3 pins) |
| | XVUZ03 | Fixing Unit - Direct mounting (2 pins) |
| | XVUZ04 | Fixing Unit - Direct mounting (4 pins) |
| A13 | XVUZ02 | Fixing Unit - Plate with Pole (100 mm) |
| | XVUZ02Q | Fixing Unit - Plate with Pole (100 mm, Silver) |
| | XVUZ400 | Fixing Unit - Plate with Pole (400 mm) |
| | XVUZ800 | Fixing Unit - Plate with Pole (800 mm) |
| A14 | XVUZ05 | Fixing Unit - Plate with adjustment pole (100-385 mm) |
| A15 | XVUC43 | Green LED unit, Flash |
| | XVUC44 | Red LED unit, Flash |
| | XVUC45 | Orange LED unit, Flash |
| | XVUC46 | Blue LED unit, Flash |
| | XVUC47 | White LED unit, Flash |
| | XVUC48 | Yellow LED unit, Flash |
| A16 | XVUZ100T | Fixing Unit - Metal bracket with pole (100 mm) |
| | XVUZ250T | Fixing Unit - Metal bracket with pole(250 mm) |
| | XVUZ400T | Fixing Unit - Metal bracket with pole (400 mm) |
| A17 | XVUZ12 | Fixing plate for use on vertical support - black |

Illuminated Units, Multi-LED and Audible Units Wiring

mm
in.



- (A) Fixing Unit
- (1) Dimensions of Wiring size
- (2) Push-in Wire Connectors
- (3) Fuse : 2A ,250V
- (4) Fuse : 0.5A ,125V
- (5) Modular Tower Lights 24V AC/DC
- (6) Modular Tower Lights 100...240V AC
- L1 Illuminated LED Units
- to
- L5 :